

Model :PR-D70

Dual Display, Programmable,
Digital Pressure Transmitter & Transducer



PR-D70 Digital Pressure Transmitter는 Microprocessor를 내장한 고기능의 압력측정기기로 산업현장에서 다양한 용도로 사용할 수 있다. 특히 내장된 Piezoresistive silicon sensor는 안정적이고 정밀하면 내구성이 뛰어나다. Stainless steel구조로 다양한 측정매체에 사용이 가능하며, 압력측정 범위도 매우 넓다. 또한 본 기기는 현장에서 Digital LED로 측정값을 표시함과 동시에 원거리에서도 현재 값을 확인 할 수 있도록 LED Bar-graph를 내장하였다. 측정값은 4~20mA 전류 값으로 전송하여 실시간으로 현장 감시가 가능하다.

본 기기는 전면부의 조작키를 이용하여 사용자가 원하는 값을 조정할 수 있다. 즉 측정범위, Damping, Zero & Span, 표시사양등을 쉽게 조정할 수 있도록 설계되었다.

- Excellent accuracy & long term stability
- LED 4-digit & bar-graph display
- Programmable digital pressure transmitter
- Damping adjustable
- Zero & span adjustable
- 10 : 1 range turn-down
- 3 mode display units
- Easy operation by front keys
- A wide range of applications in ;
- Chemical & petrochemical process
- Food & drug process controls
- Hydraulic & pneumatic equipments
- Machines tools & automatic machinery
- LPG & LNG transmission & storage controls
- Automation system & plant engineering
- Water treatment
- Pump & motor controls

 **PROVICO CO.**

Tel : +82-32-673-6273

Fax: +82-32-673-6274

<http://www.provico.co.kr>

TECHINCAL DATA

Input

Measuring Technology	Piezo-resistive Silicon Sensor
Pressure Reference	Gauge, Absolute, Vacuum & Compound
Pressure Range(bar)	Gauge : 0~0.1, 0.2, 0.5, 1, 2, 3, 4, 5, 8, 10, 15, 20, 25, 35, 50, 100, 200, 350 Absolute : 0~1, 2, 5, 10, 20, 50, 100, 200, 350 Vacuum : -1~0 Compound : -1~1, 2, 3, 5, 10, 20, 35, 50, 100, 200, 350
Over Pressure Safety	Note) Other ranges are available on request. 3 x Full scale without damage

Output

Output Signal	4~20mA DC, 2-wire Analog output signal Other output signal available on request
Local Display	4 Digits, 7-segment digital LED Bar graph(Red)
Unit Display	3 Mode(Engineering Unit, %, Current Output Value)
Electrical Connection	1/2"PF Female

Electrical Specifications

Excitation Voltage	18~36V DC , 48V DC, Free Voltage,
Load Resistance max.@24V	500ohm at 24V
Influence of Excitation	0.01% FSO/V
Damping Adjustment	0.0~9.9/sec
Range Turn-down	Max. 10 : 1 of span

Performance Specifications

Accuracy	±0.25% FS (±0.5% FS for sealed diaphragm)
Non-linearity	±0.100% FS typical
Repeatability	±0.150% FS typical
Pressure Hysteresis	±0.150% FS typical
Long Term Stability	±0.3% FS over 6 months
Operating Temperature	-40~125 °C
Temperature Compensated	0~82 °C
Thermal Sensitivity Shift	±0.2% FSO typical
Thermal Zero Shift	±0.2% FSO typical

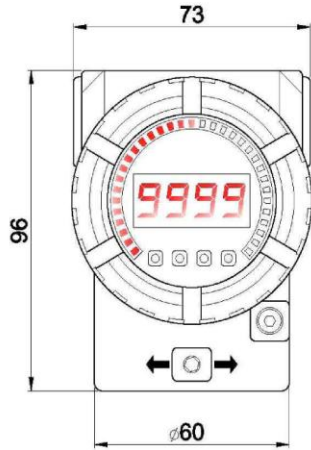
Physical Specifications

Process Connection	Thread Type : PT, NPT, PF Thread Size : 1/4", 3/8", 1/2", 3/4" Flange Type : JIS, ANSI, DIN(Flate or "I" flange)
Process Media	Gases & liquids compatible with stainless steel 316
Materials	Case : ALDC Diaphragm : Stainless steel 316L Wetted parts : Stainless steel 316 Note) Wetted part teflon lining on request
Enclosure Rating	IP65 Ex d IIB T6

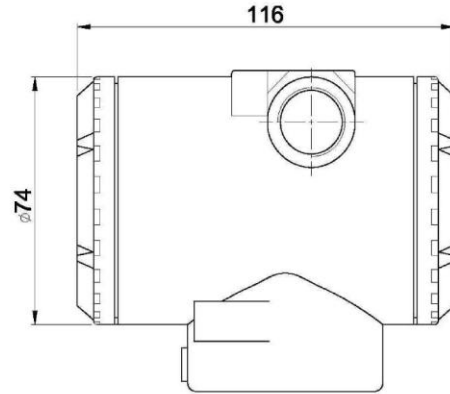
DIMENSION

Terminal Head

Front View

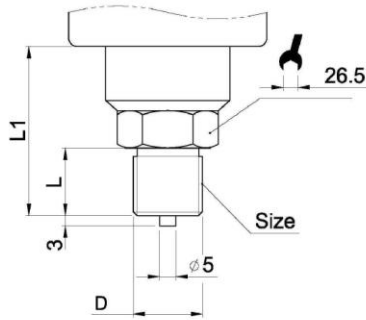


Side View



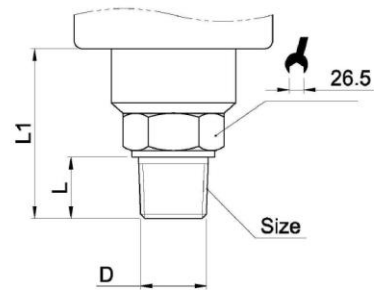
Wetted Parts

PF Connection



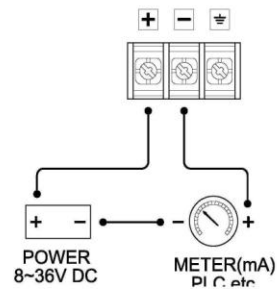
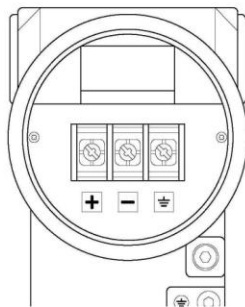
size	D	L	L1
PF1/2	20.9	20.0	50.0
PF3/8	16.6	18.0	48.0
PF1/4	13.1	16.0	46.0

PT Connection



size	D	L	L1
PT1/2	20.9	18.0	50.0
PT3/8	16.6	16.0	48.0
PT1/4	13.1	14.0	46.0

Electrical Connection



ORDERING INFORMATION

Base Model

PR-D70

Ex d IIB T6 :KP-70

Enclosure Rating

- W : Weather Proof
E : **Explosion Proof (Model:KP-7000)**

Process Connection Type

- A : NPT
B : PT
C : PF
X : Other types of connection available on request

Process Connection Size

- 1 : 1/4"
2 : 3/8"
3 : 1/2"
X : others on request

Range

110	: -1~0	126	: -1~1
111	: 0~0.1	127	: -1~2
112	: 0~0.2	128	: -1~5
113	: 0~0.5	129	: -1~10
114	: 0~1	130	: -1~15
115	: 0~2	131	: -1~20
116	: 0~5	132	: -1~25
117	: 0~10	133	: -1~35
118	: 0~15	134	: -1~50
119	: 0~20	135	: -1~100
120	: 0~25	136	: -1~250
121	: 0~35	137	: -1~350
122	: 0~50		
123	: 0~100		
124	: 0~250		
125	: 0~350		

Unit

- A : kgf/cm² or mmHg+kgf/cm²
B : mmHg
C : bar
D : psi
E : Mpa
F : Kpa
X : Other calibration unit available on request

Output Signal

- 0 : None-output(Only digital gauge)
1 : 4~20mA DC, 2-wire
2 : 4~20mA Analog output + 2 Relay points
3 : 1~5V DC, 3-wire(Optional)

Excitation Voltage

- 1 : 18~36V DC
2 : 48V DC
3 : Free Voltage
4 : Other outputs available on request

Option

- 1 : None
x : Sealed diaphragm,
Accuracy:±0.5% FS

PR-D70	W	B	3	117	A	1	1	1
--------	---	---	---	-----	---	---	---	---

Note 1) Other ranges are available on request.

Note 2) Please mark "abs." for absolute pressure.