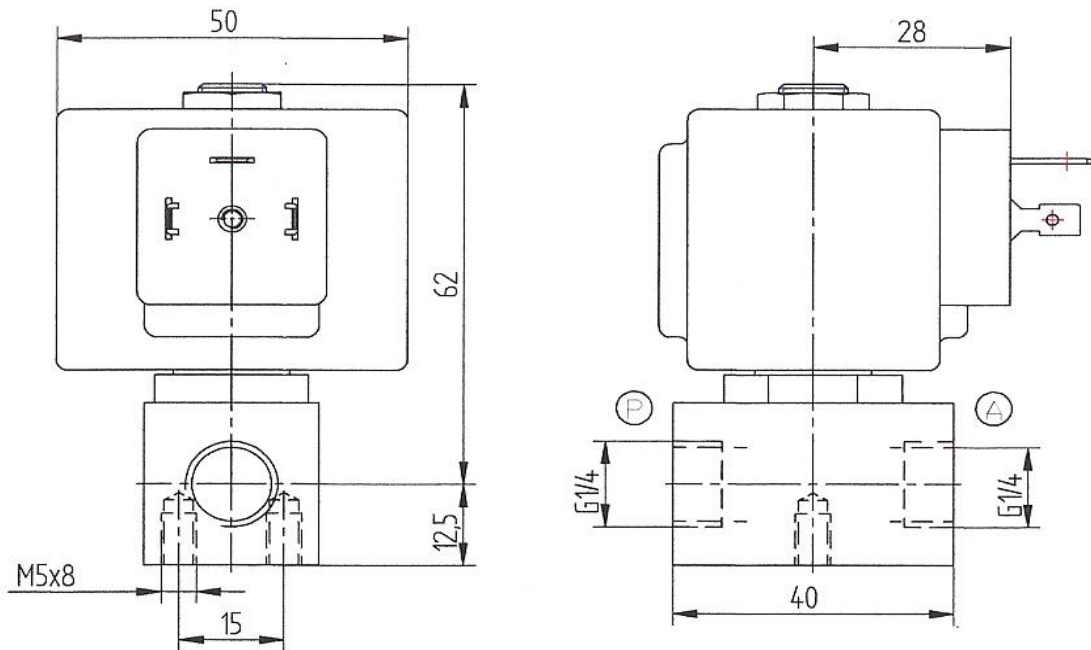


# High-Pressure Solenoid Valves



| Model | WORKING PRESSURE | BODY MATERIAL | SEAL MATERIAL | OPERATING TYPE | VOLTAGE   | ORIFICE SIZE | CONNECTION SIZE |
|-------|------------------|---------------|---------------|----------------|-----------|--------------|-----------------|
| S-350 | 0 ~ 350 bar      | SUS 303       | PU            | DIRECT-ACTING  | AC : 220V | 1mm          | G 1/4"          |

The original of this drawing is copyright and contains confidential information. It is property of JORC Industrial without whose permission it may NOT be copied, shown or handed to a third party or otherwise used and it is to be returned promptly upon request to JORC Industrial.



TECHNICAL DATA:

Valve type: XD22N  
 Function: 2/2 NC (closed when de-energised)  
 Ports: G1/4  
 Orifice size: 1.0 mm  
 Operating pressure: 0 - 350 bar  
 Test pressure: 525 bar  
 Flow capacity: 0.6 l/min (water at 1 bar)  
 Coil type: TM35  
 Voltage: 230 V AC  
 Power: 16 W  
 Valve body: stainless steel AISI303 (1.4305)  
 Main seal: polyurethane (PU)  
 Mass: 0.52 kg  
 Order code: 320841

|  |      |            |                                   |            |
|--|------|------------|-----------------------------------|------------|
|  |      |            |                                   |            |
|  | NAME | DATE       |                                   |            |
| DRAWN  | FK   | 16-06-2011 |                                   |            |
| CHECKED  |      |            |                                   |            |
| JORC industrial BV<br>Pretoriastraat 28<br>6413 NN, Heerlen, The Netherlands<br>National Tel: 045 524 24 27 Fax 045 524 19 79<br>International Tel +31 45 524 24 27 Fax +31 45 524 19 79 |      |            | XD22N G1/4 1 PU<br>230VAC 350 BAR |            |
|  |      |            | ARTIKEL NUMBER:<br>320841         |            |
|  |      |            | SIZE<br>A4                        | REV<br>A   |
| All dimensions are in millimetres unless otherwise stated  |      |            |                                   |            |
|  |      |            |                                   | SHEET: 1/1 |



## Test Report

Address: JORC Industrial BV  
Pretoriastraat 28  
NL – 6413 NN Heerlen  
The Netherlands  
Tel +31 45 5242427  
Fax +31 45 5241979  
E-mail [info@jorc.nl](mailto:info@jorc.nl)  
Web <http://www.jorc.eu>

Test object: 320841

Type of test: Hydrostatic strength test

Standard: EN 60760-2-8:2002, sub clause 18.101.1  
Directive 97/23/EC, Annex I, sub clause 7.4

18.101.1 Test at 1.5 times max rated working pressure (test for external leakage)

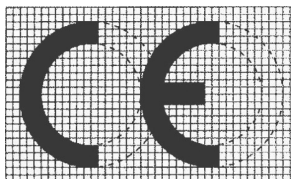
Condition: Test sample was fitted onto water pump with outlet sealed. Valve was activated and kept in open position. Pressure of 525 bar was applied at the inlet side. Sample was subjected to this conditions for a duration of 1 hour.

Test result: No visual external leakage occurred.  
Valve operated normally on max rated pressure (350bar).

Heerlen, 12 April 2010

JORC Industrial BV

Mr. de Bie  
Managing Director





## Declaration of UL Recognition

Address: JORC Industrial BV  
Pretoriastraat 28  
NL – 6413 NN Heerlen  
The Netherlands  
Tel +31 45 5242427  
Fax +31 45 5241979  
E-mail [info@jorc.nl](mailto:info@jorc.nl)  
Web <http://www.jorc.eu>

Description: Valve parts, Electrically operated components

Types: JCM, JCL, TM25, TM30, TM35, TM40

UL file number: E198328



Heerlen, 15 July 2009

JORC Industrial BV

Mr. de Bie  
Managing Director

Information provided herewith is believed to be accurate and reliable. However, no responsibility is assumed for its use or for any infringement of patents or rights of others, which may result from its use. In addition, JORC reserves the right to revise information without notice and without incurring any obligation.