

3-Prong Miniature Connectors

For Thermocouples, RTD's and 3-Wire Thermistors

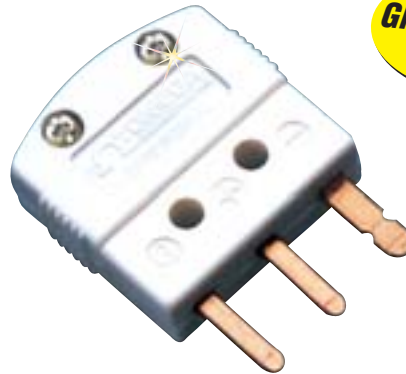
Glass-Filled Nylon Rated from -29 to 220°C (-20 to 425°F)

MTP
Starts at
\$250



Basic Male
Connector

- ✓ Supplied with Shielded Wire Copper Connection Pin
- ✓ Glass-Filled Nylon, Rated to -29 to 220°C (-20 to 425°F)
- ✓ Heavy Duty Construction
- ✓ Color-Coded
- ✓ Accepts Stranded or Solid Wire up to Size 20 AWG
- ✓ Combination Phillips/Slot Screws



Miniature Uncompensated Version Male and Female Shown Larger Than Actual Size

Glass-Filled Nylon!

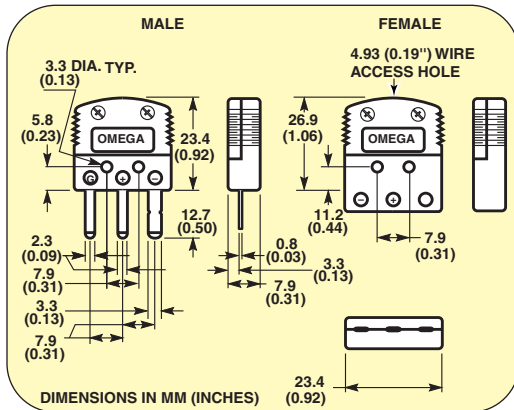
ANSI color code shown To order IEC color code see page A-9



Maximum wire diameter is 3 mm (0.125")

PATENTED

Covered by U.S and International patents and pending applications



We make running changes when technical advances allow. Check at time of ordering for additional features.

Discount Schedule

1-10	Net
11-24	10%
25-49	15%
50-99	20%
100-999	25%
1000 and over	Consult Sales

See OMEGA's Complete Selection of Connector Accessories Featured on Pages G-15, G-20, G-29 and G-32, and online at omega.com

Also Available!

Transmitters and Ferrite Cores for EMI Protection

Model SPRTX Built-in 4 to 20 mA Transmitter \$75. See page N-8.

PATENTED

Model PCLM-FT Cable Clamp with Ferrite Core for EMI Protection, \$2.50 ea. Connector sold separately.

MOST POPULAR MODEL HIGHLIGHTED!

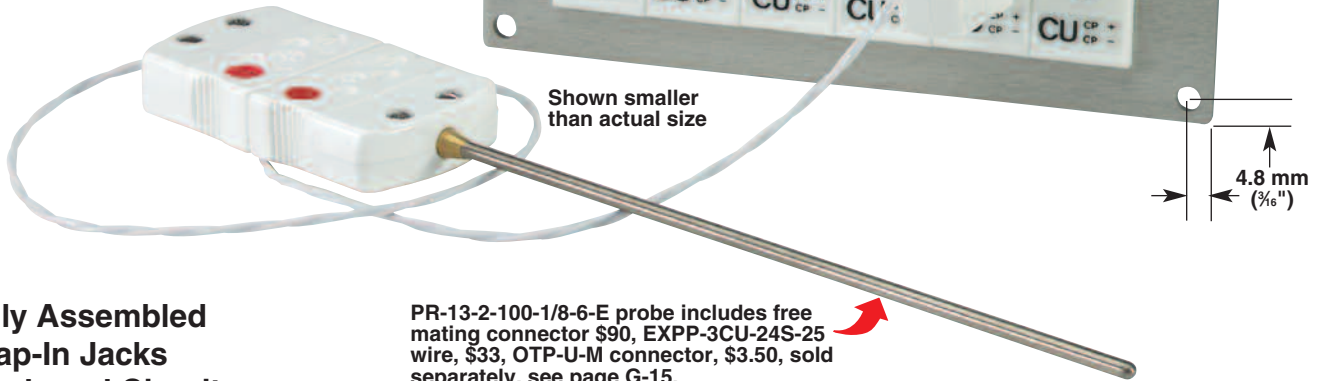
To Order (Specify Model Number)									
Alloy Code [†]	Type of T/C Used with Connector	Compensating Alloy Used in Connector			Shell Color	Model No. ANSI Color Code	Price		
		+	-	G			Pair (MF)	Female (F)	Male (M)
K	CHROMEALLOY®-ALOMEALLOY®	CHROMEALLOY®	ALOMEALLOY®	Copper	Yellow	MTP-K-(*)	\$5.50	\$3.00	\$2.50
T	Copper-Constantan	Copper	Constantan	Copper	Blue	MTP-T-(*)	5.50	3.00	2.50
J	Iron-Constantan	Iron	Constantan	Copper	Black	MTP-J-(*)	5.50	3.00	2.50
E	CHROMEALLOY®-Constantan	CHROMEALLOY®	Constantan	Copper	Purple	MTP-E-(*)	5.50	3.00	2.50
U	Uncompensated	Copper	Copper	Copper	White	MTP-U-(*)	5.50	3.00	2.50
N	OMEGALLOY®	OMEGA-P®	OMEGA-N®	Copper	Orange	MTP-N-(*)	8.25	4.50	3.75

[†]K, T, J, E, R, S and B are ANSI designations
 *To order, specify "MF" for a connector pair, "M" for male connector only, or "F" for female connector only
 OMEGALLOY® Type N is generically known as Nicrosil-Nisil
 OMEGA's subminiature connectors are molded of high performance glass-filled nylon. Each male connector is supplied with one blank brass bushing to which protection tubes are easily soldered or brazed. Special washers are provided to guarantee good contact without damaging fine wires. Connectors will accommodate protection tubes from 0.25 mm to 3.17 mm (0.010" to 1/8") O.D. Additional bushings can be purchased for \$0.25 each; order BB-SMP-1.
Ordering Examples: MTP-K-MF, CHROMEALLOY®-ALOMEALLOY®, 3-prong subminiature connector pair, \$5.50. MTP-J-MF, Copper-Constantan, 3-prong subminiature connector pair, \$5.50.

G

Jack Panels With Color-Coded 3 Prong Connectors

TJP Series
Starts at
\$47



- ✓ Fully Assembled
- ✓ Snap-In Jacks
- ✓ Numbered Circuits
- ✓ Easy Installation
- ✓ Convenient
- ✓ Rugged 2.4 mm (3/32") Anodized Panels

PR-13-2-100-1/8-6-E probe includes free mating connector \$90, EXPP-3CU-24S-25 wire, \$33, OTP-U-M connector, \$3.50, sold separately, see page G-15.

Consult Sales Department for information on custom, color-coded anodized panels.

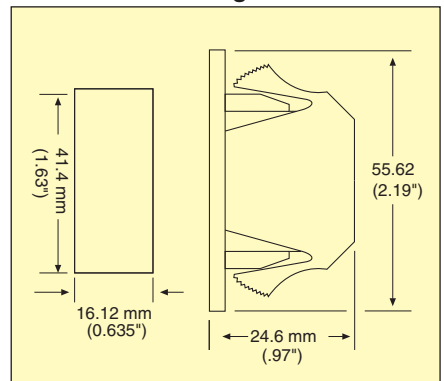
PRICE AND QUANTITY DISCOUNT INFORMATION

Prices shown are for J, K, T, E, N, and U calibrations. To price more than one panel of any type, use the following price schedule:

- 1 Row\$20 per panel, + jacks
- 2 Rows\$25 per panel, + jacks
- 3 Rows\$30 per panel, + jacks
- 4 Rows\$35 per panel, + jacks

3 prong panel jacks, Model No. **TPJ**: \$4.50 ea. Use connector quantity discount schedule at right. Blank panel prices are not discounted.
Note: All OMEGA® TJP jack panels are assembled at no extra cost!

Mounts in a Rectangular Cutout



Discount Schedule

1-10.....	Net
11-24.....	10%
25-99.....	20%
100 and up	Consult Sales

OMEGA® jack panels are for use with RTD's, thermistors and shielded thermocouples! Using the TJP snap-in panel jacks, the same versatility given to thermocouples is now possible for sensors requiring 3 lead wires.

The snap-in jacks have 3 female terminals that will accept any 3 prong OTP male connector. They can accommodate wires up to 14 AWG and are made from alloys to match ANSI thermocouple grade calibrations.

The TJP panel jacks are made of rugged, high impact plastic, and have a maximum service temperature of 205°C (400°F). They are mounted in 2.4 mm (3/32") panels of anodized aluminum.

Note: Male plugs can be supplied in place of the female jacks on all OMEGA panels, if desired.

Hole Spacing:

3/16" on both sides,
3/16" dia. hole for #8 screw

Non-standard panels: **\$40** minimum order.

MOST POPULAR MODELS HIGHLIGHTED!

Circuits Per Row	Dimensions in mm (in)	1 Row 76 H (3")	2 Rows 133 H (5 1/4")	3 Rows 203 H (8")	4 Rows 254 H (10")
6 146 mm L (5 3/4")	Model No. Price	TJP1-06-[*] \$47	TJP2-12-[*] \$73.60	TJP3-18-[*] \$102.90	TJP4-24-[*] \$132.20
12 260 mm L (10 1/4")	Model No. Price	TJP1-12-[*] \$68.60	TJP2-24-[*] \$122.20	TJP3-36-[*] \$167.70	TJP4-48-[*] \$218.60
18 375 mm L (14 3/4")	Model No. Price	TJP1-18-[*] \$92.20	TJP2-36-[*] \$162.70	TJP3-54-[*] \$224.40	TJP4-72-[*] \$294.20

*Insert J, K, T, E, N, or U thermocouple calibration.

Ordering Example: TJP2-36-K, Double row color-coded jack panel with Type K connector, \$162.70.