

Model :PR-D10,20

Compact ,Programmable,
Local Indicating Pressure Transmitter & Transducer.



PR-D10,D20 Series Digital Pressure Transmitter는 Microprocessor를 내장한 고정도의 압력전송기이다.다이캐스팅 Field Terminal은 소형사이즈로 설치공간이 협소한 Process에서도 사용이 가능하며, 전면부의 조작키를 이용하여 손쉽게 다양한 기능을 조정할 수 있다. 또한 Piezoresistive Silicon Sensing Element는 고정도와 다양한 매체를 측정이 가능한 Stainless Steel 316L로 구성되어 있으며 장기간 사용하여도 안정적인 계측품질을 유지한다. 측정된 값은 현장에서 LED 4 digit로 표시되며, 전류신호로 장거리 전송이 가능하다.

■ Compact Field Case

■ Programmable Digital Temperature

Transmitter

■ Variable Functions

■ Range Turn-down

■ High Precision Instrument

■ All Stainless Steel Construction

■ Wide Measuring Ranges



PROVICO CO.

Tel : +82-32-673-6273

Fax: +82-32-673-6274

<http://www.provico.co.kr>

TECHINCAL DATA

Input

Measuring Principle	Piezoresistive Silicon Pressure Cell
Pressure Reference	Gauge, Absolute, Vacuum & Compound
Measuring Ranges(bar)	Gauge : 0~0.5, 1, 2, 3, 4, 5, 8, 10, 15, 20, 25, 35, 50, 100, 200, 350 Absolute : 0~1, 2, 5, 10, 20, 50, 100, 200, 350, 400 Vacuum : -1~0 Compound : -1~1, 2, 3, 5, 10, 20, 35, 50, 100, 200, 350, 400 Note : Other ranges are available on request
Over Pressure Limit	2.5 x Full scale without damage

Output

Output Signal	4~20mA DC, 2-wire 1~5V DC, 3-wire(Optional)
Local Display	3 Digits, 7-segment digital LED

Electrical Specification

Electrical Connection	General terminal head
Conduit Connection	1/2"PF, Female
Excitation Voltage	12~36V DC
Load Resistance max. @24V	700 ohm at 24V
Influence Of Excitation	0.01% FSO/V
Reverse Polarity	Protected
Response Time	≤2 milliseconds
Adjustment	4 : 1 Range turn-down

Performance Specification

Accuracy	±0.25% FS
Non-linearity	±0.100% FS typical
Repeatability	±0.150% FS typical
Pressure Hysteresis	±0.150% FS typical
Long-term Stability	±0.35% FS over 6 months
Operation Temperature Range	-40~125°C
Compensated Temperature Range	0~80°C

Physical Specification

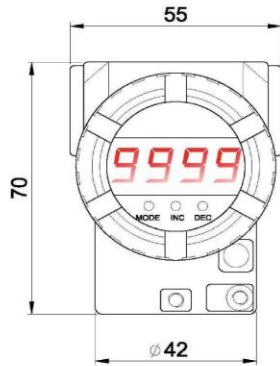
Process Connection	Thread Type : PT, NPT, PF Thread Size : 1/4", 3/8", 1/2" Other connections available such as JIS, ANSI, DIN Flange
Process Media	Gases & liquids compatible with Stainless steel 316
Materials	Field case : ALDC Wetted parts : Stainless steel 316 Diaphragm : Stainless steel 316L

Enclosure Rate	IP65
----------------	------

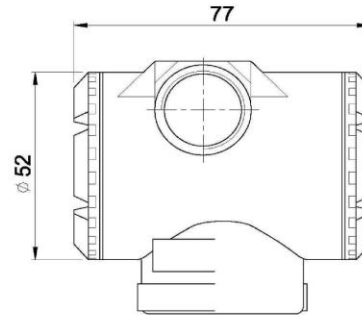
DIMENSION

Terminal Head

Front View

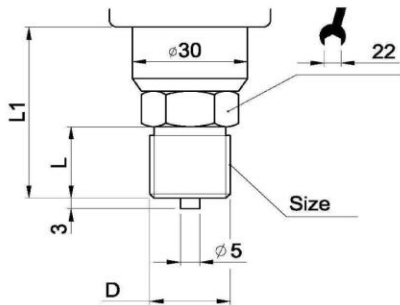


Side View



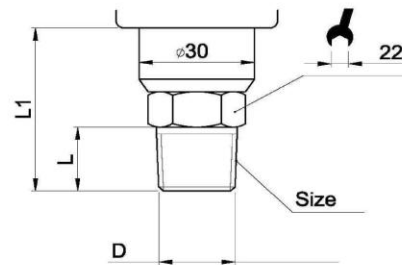
Wetted Parts

PF Connection



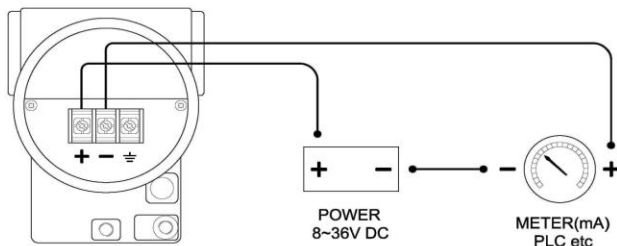
size	D	L	L1
PF1/2	20.9	20.0	48.0
PF3/8	16.6	18.0	46.0
PF1/4	13.1	16.0	44.0

PT Connection



size	D	L	L1
PT1/2	20.9	18.0	46.0
PT3/8	16.6	16.0	44.0
PT1/4	13.1	14.0	42.0

Electrical Connection



ORDERING INFORMATION

Model

PR-D10(Ceramic sensor type. Accuracy: 0.5% fs)

PR-D20(Diaphragm sensor type)

* PR-10.PR-20 None Display

Pressure Reference

- R : Gauge pressure
- A : Absolute pressure
- V : Vacuum
- C : Compound pressure

Process Connection Type

- A : NPT
- B : PT
- C : PF
- X : Other types of connection available on request

Process Connection Size

- 1 : 1/4"
- 2 : 3/8"
- 3 : 1/2"
- X : others on request

Range

- | | |
|-------------|--------------|
| 110 : -1~0 | 126 : -1~1 |
| 111 : 0~0.1 | 127 : -1~2 |
| 112 : 0~0.2 | 128 : -1~5 |
| 113 : 0~0.5 | 129 : -1~10 |
| 114 : 0~1 | 130 : -1~15 |
| 115 : 0~2 | 131 : -1~20 |
| 116 : 0~5 | 132 : -1~25 |
| 117 : 0~10 | 133 : -1~35 |
| 118 : 0~15 | 134 : -1~50 |
| 119 : 0~20 | 135 : -1~100 |
| 120 : 0~25 | 136 : -1~250 |
| 121 : 0~35 | 137 : -1~350 |

Unit

- A : kgf/cm² or mmHg+kgf/cm²
- B : mmHg
- C : bar
- D : psi
- E : Mpa
- F : Kpa
- X : Other calibration unit available on request

Output Signal

- 0 : None-output(Only digital gauge)
- 1 : 4~20mA DC, 2-wire
- 2 : 1~5V DC, 3-wire(Optional)

Option

X

PR-D20	R	X	X	114	A	1	X
--------	---	---	---	-----	---	---	---

Note 1) Other ranges are available on request.

Note 2) Please mark "abs." for absolute pressure.