

Model LBM Compression Load Button

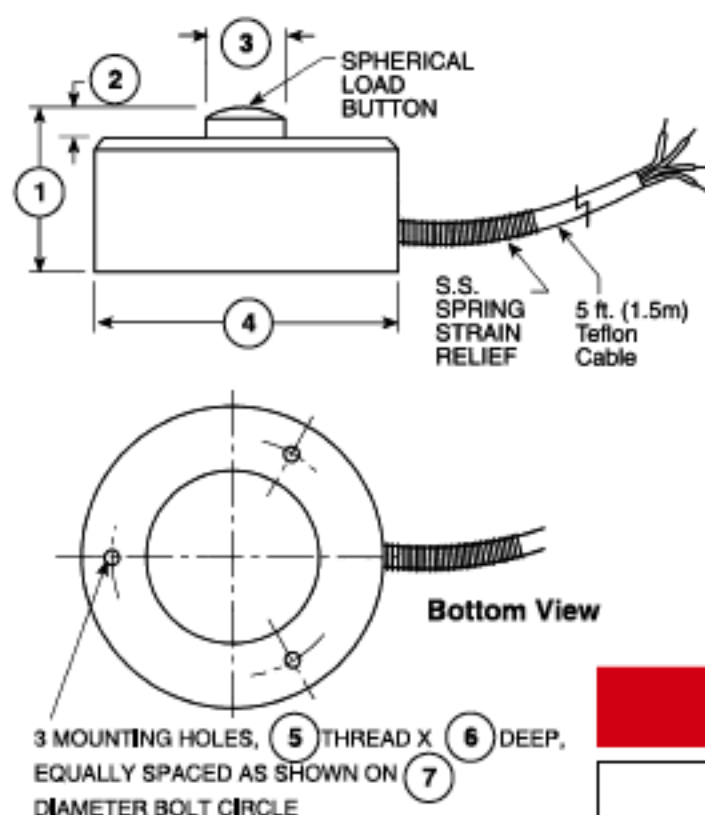
Why the Interface model LBM Compression Load Button is the best in class:

- Temperature compensated
- Integral load button
- Small diameter
- Environmentally sealed

ACCESSORIES*

Instrumentation

*Please call for additional information



SPECIFICATIONS

ACCURACY – (MAX ERROR)

Nonlinearity-% FS±0.25
Hysteresis-% FS±0.25
Nonrepeatability-% RO±0.10

TEMPERATURE

Compensated Range-°F60 to 160
Compensated Range-°C16 to 71
Operating Range-°F-65 to 250
Operating Range-°C-54 to 121
Effect on Zero-% RO/°F – MAX±0.005
Effect on Output-%/°F – MAX±0.01
Zero Balance % RO±2

ELECTRICAL

Rated Output-mV/V (Nominal)2.0
Bridge Resistance-Ohm (Nominal)350
Excitation Voltage10 VDC

MECHANICAL

CalibrationCompression
Deflection0.004
Safe Overload-% CAP150
Ultimate Overload % of CAP300
Cable length-ft5
4-conductor Teflon insulated cable	

DIMENSIONS

See Drawing	CAPACITY (lbf)									
	LBM Series									
	25, 50, 100		250, 500, 1K, 2K		5K, 10K		20K		50K	
	inch	mm	inch	mm	inch	mm	inch	mm	inch	mm
①	0.62	15.7	0.39	9.90	0.63	16.0	1.0	25.4	1.50	38.1
②	0.05	1.30	0.07	1.80	0.08	2.00	0.12	3.00	0.18	4.60
③	0.21	5.30	0.32	8.10	0.43	10.9	0.60	15.0	0.78	19.8
④	1.00	25.4	1.25	31.8	1.50	38.1	2.00	50.8	3.00	76.2
⑤	4-40 UNC		6-32 UNC		6-32 UNC		6-32 UNC		6-32 UNC	
⑥	0.19	4.83	0.25	6.35	0.25	6.35	0.25	6.35	0.25	6.35
⑦	0.75	19.00	1.00	25.4	1.25	31.8	1.63	41.3	2.38	60.3