

Model MSC Small Diameter High Capacity Load Button

Why the Interface model MSC Small Diameter High Capacity Load Button is the best in class:

- Proprietary Interface temperature compensated strain gages
- Small compact design
- Environmentally sealed
- Stainless steel construction
- Low deflection

STANDARD CONFIGURATION

5 ft Integral Cable

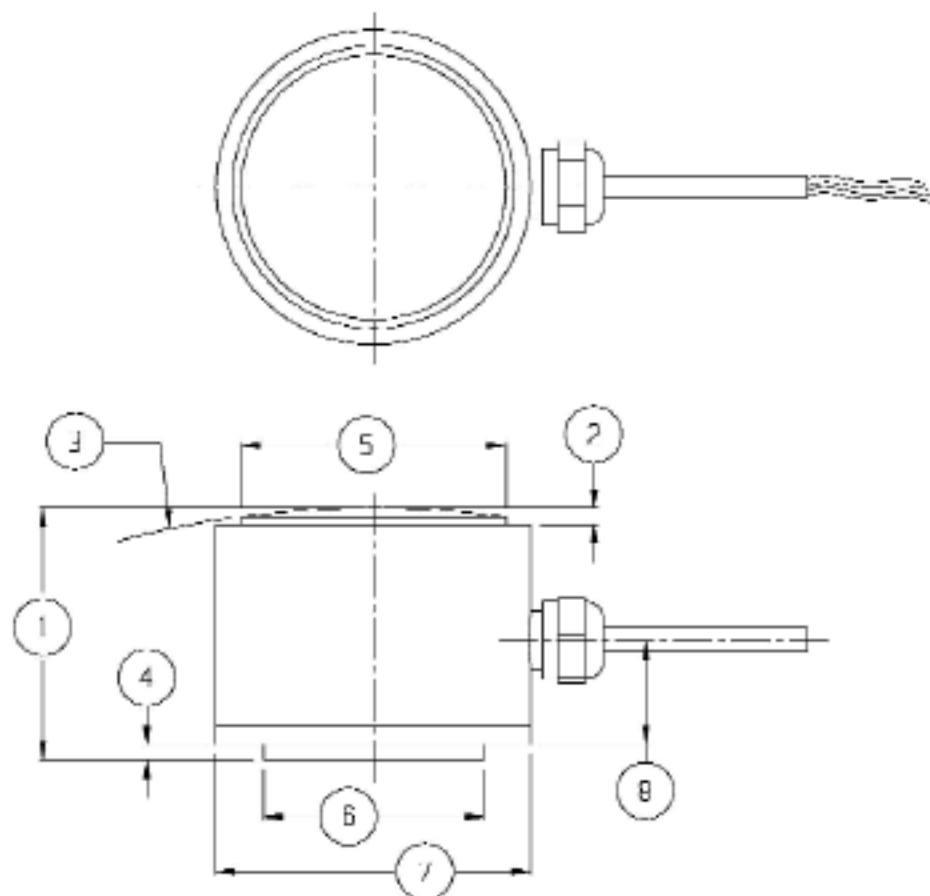
OPTIONS *

Extra Cable Length

ACCESSORIES *

Instrumentation

*See appendix for more technical information



SPECIFICATIONS

ACCURACY – (MAX ERROR)

| | |
|------------------------------|-------|
| Nonlinearity - % FS..... | ±0.05 |
| Hysteresis - % FS..... | ±0.05 |
| Nonrepeatability - % RO..... | ±0.10 |
| Creep, in 20 min - %..... | ±0.15 |

TEMPERATURE

| | |
|-------------------------------------|------------|
| Compensated Range - °F..... | 70 to 170 |
| Compensated Range - °C..... | 21 to 77 |
| Operating Range - °F..... | -40 to 175 |
| Operating Range - °C..... | -40 to 80 |
| Effect on Output - %/°F – MAX..... | ±0.009 |
| Effect on Output - %/°C – MAX..... | ±0.005 |
| Effect on Zero - % RO/°F – MAX..... | ±0.0036 |
| Effect on Zero - % RO/°C – MAX..... | ±0.002 |

ELECTRICAL

| | |
|--|--------------|
| Rated Output - mV/V (nominal)..... | 2 +40%/-20% |
| Zero Balance - %RO..... | ±2 |
| Bridge Resistance – Ohm (nominal)..... | 350 +50/-3.5 |
| Excitation Voltage – MAX..... | 15 VDC |
| Insulation Resistance – Megohm..... | 5000 |

MECHANICAL

| | |
|----------------------------|-------------|
| Calibration..... | Compression |
| Safe Overload - % CAP..... | 150 |
| Cable length – ft..... | 5 |

DIMENSIONS

| See Drawing | CAPACITY | |
|-------------|---------------|----------------|
| | U.S. (lbf) | Metric (N) |
| | 15K, 20K, 30K | 65K, 90K, 130K |
| | inch | mm |
| ① | 1.00 | 25.4 |
| ② | 0.06 | 1.52 |
| ③ | R 4.0 ±.5 | 101.6 ±13 |
| ④ | 0.06 | 1.52 |
| ⑤ | 1.05 | 26.67 |
| ⑥ | 0.875 | 22.23 |
| ⑦ | 1.25 | 31.75 |
| ⑧ | .5 ±0.1 | 12.32 |