

## Sealed Piston

Series 9617

### Features

- ▶ Unique leaf spring design
- ▶ High reliability
- ▶ Extremely long life
- ▶ UL & CSA listed
- ▶ High proof pressure upto 15 kpsi
- ▶ Calibrated dial for easy setpoint adjustment

### Applications

- ▶ Factory automation
- ▶ Hydraulic presses
- ▶ Compactors and balers
- ▶ Hydraulic controllers
- ▶ Machine tools



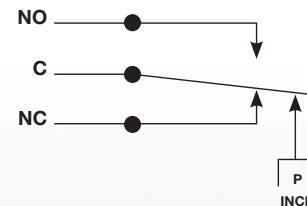
### General Specifications\*

<b>Accuracy:</b>	± 2% of the adjustable range
<b>Switch:</b>	
Type:	Single pole double throw (SPDT) snap action; single circuit
Rating:	15 Amps @ 125, 250, or 480 VAC (Class B)
<b>Wetted Parts:</b>	
Process Fitting:	Brass
O-ring:	Buna-N
Piston:	440C stainless steel
Enclosure:	Anodized aluminum
<b>Electrical Connection</b>	Through 1/2" NPT conduit connection to screw terminals
<b>Enclosure Ratings:</b>	NEMA 4
<b>Pressure Connection:</b>	1/4" NPT female
<b>Approvals:</b>	
UL:	UL File No. E42816
CSA:	Class 32311 02; File No. 022355-0.00

<b>Temperature Range:</b>	
Operating:	-20° to +165°F (-29° to +74°C)
Storage:	-40° to +200°F (-40° to +93°C)
<b>Adjustment Instructions:</b>	
Setpoint:	Loosen adjustment screw cover and open. Using a 5/16" allen wrench, turn adjustment screw clockwise to increase setpoint, counterclockwise to decrease setpoint. The setpoint indicator (located inside enclosure) provides a visual indication of the approximate setpoint.
<b>Options:</b>	-Factory Pre-set -Cleaned for oxygen service -Stainless steel fitting
<b>Shipping Weight:</b>	1.75 lbs. approximate

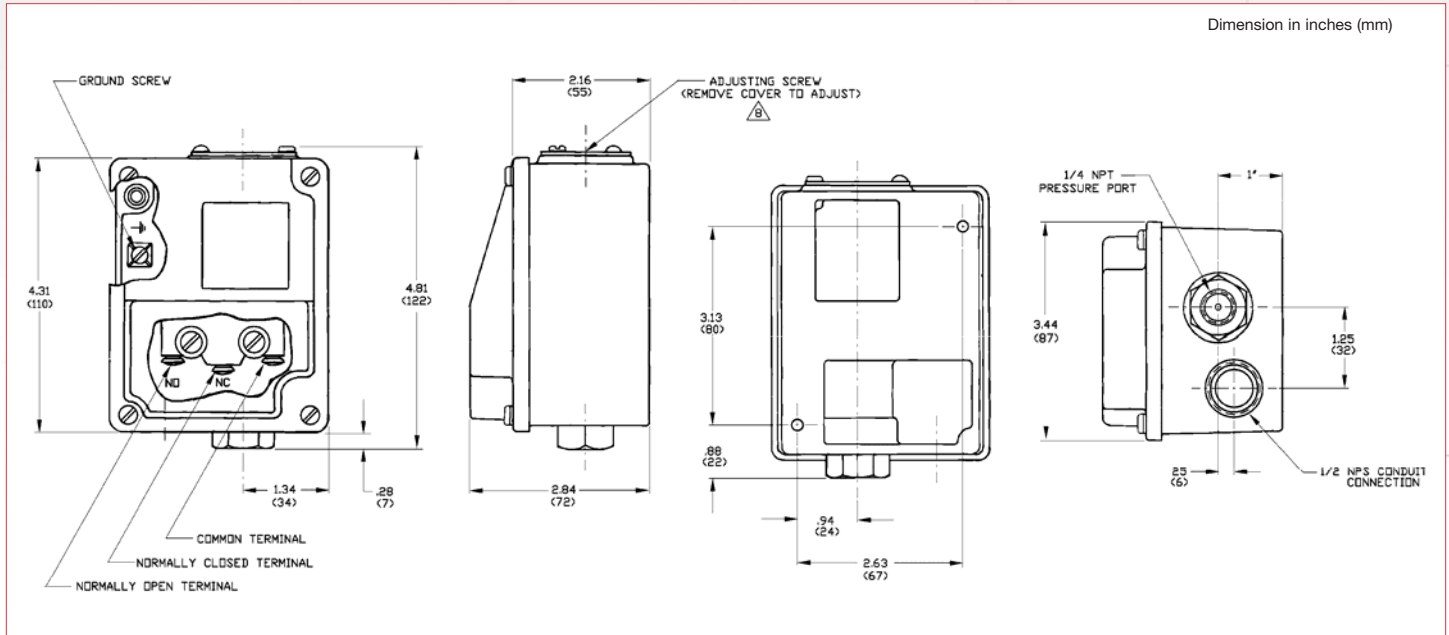
\* See product configurator for additional options.

### Wiring Diagram



Terminals are identified on the limit switches

## Technical Drawing



## Product Configurator

Example	9617	-3	SS		
---------	------	----	----	--	--

### Options

-Z1	Cleaned for oxygen service
-Z12	Gold contact limit switch (GH)
-Sxxx	Factory pre-set (consult factory)

### Basic Configuration

9617 Nema 4 Enclosure

### O-Ring Material

Blank	Buna-N (standard)
-E	Ethylene Propylene (EPR) - O-ring
-N	Neoprene O-ring
-V	Viton® O-ring

### Pressure Range

	Adjustable Range				Approx. Deadband (Actuation Value) psi (bar)	Proof Pressure psi (bar)
	Decreasing - psi (bar)		Increasing - psi (bar)			
	Min	Max	Min	Max		
-3	80 (5.4)	1400 (95.2)	120 (8.2)	1500 (102)	40 - 100 (2.7 - 6.8)	7500 (510)
-4	180 (12.2)	2800 (190)	230 (15.6)	3000 (204)	50 - 200 (3.4 - 13.6)	10000 (680)
-5	295 (20.0)	4650 (316)	375 (25.5)	5000 (340)	80 - 350 (5.4 - 23.8)	10000 (680)
-6	450 (30.6)	7100 (483)	575 (39.1)	7500 (510)	125 - 400 (8.5 - 27.2)	15000 (1020)

### Process Connection

Blank	Brass, 1/4" NPT Female (standard)
SS	Stainless Steel, 1/4" NPT Female