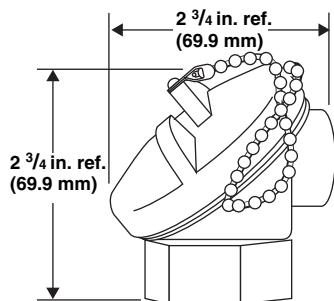


Accessories

Hardware

Thermocouple Heads and Connector Blocks



Approximate Assembled Dimensions:
2 3/16 in. H x 2 3/4 in. L x 2 3/4 in. W

Standard Thermocouple Heads

(Assembly ordering options D or E)

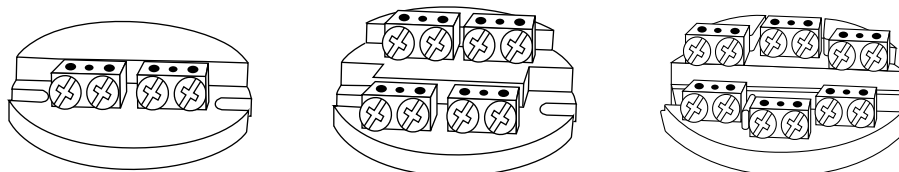
Watlow's standard heads are made of cast iron or aluminum. A plated chain attaches the gasketed cover to the body. Flats are provided for tightening. The connector block, held

in place with two screws, can be a single, duplex or triplex. These heads have 1, 3/4 or 1/2 inch NPT openings for protecting tubes or drilled wells. The conduit outlet is 3/4 inch NPT. Epoxy coating is available on the aluminum head. Maximum operating temperature is 441°C (825°F).

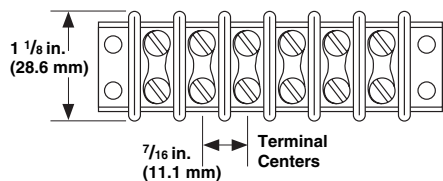
Cast Iron Head Only Part No.	Aluminum Head Only Part No.	Sensor Opening (NPT) in.	Conduit Connection in.
70900201	—	1	3/4
70900202	—	3/4	3/4
70900203	70900301*	1/2	3/4

*Available with epoxy coating (70900302)

Terminal Blocks for Standard Heads



Part No.	Description
50500401	Single element, maximum operating temperature 540°C (1000°F)
50500501	Dual, maximum operating temperature 540°C (1000°F)
50500601	Triplex, maximum operating temperature 540°C (1000°F)



Note: All accessories subject to minimum purchase quantities.

Barrier Type Terminal Strips

Standard barrier type terminal strips made of molded phenolic blocks with nickel plated brass terminals are available with two to 18 terminals. Terminal strips using thermocouple material also are available. **Note:** Two terminals required for each thermocouple.

Ordering Information:

Specify 4201- _____ -BR

Insert the number of terminals desired (02 to 18) in the blank. For terminals of thermocouple material, insert thermocouple calibration symbol in place of BR (K, J, E, T and R/S). Terminal strips then will be supplied with alternate positive and negative strips.

Accessories

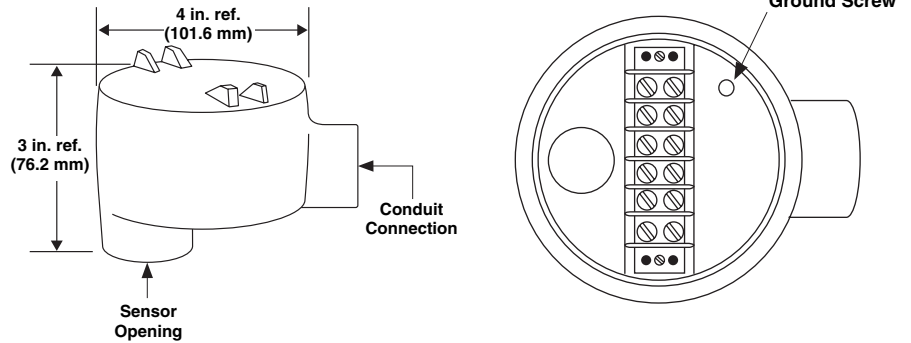
Hardware

Thermocouple Heads and Connector Blocks

Continued

Explosion Proof Thermocouple Heads

(Assembly ordering option H)



Approximate Assembled Dimensions:
4 in. H x 2 1/4 in. L x 3 in. W

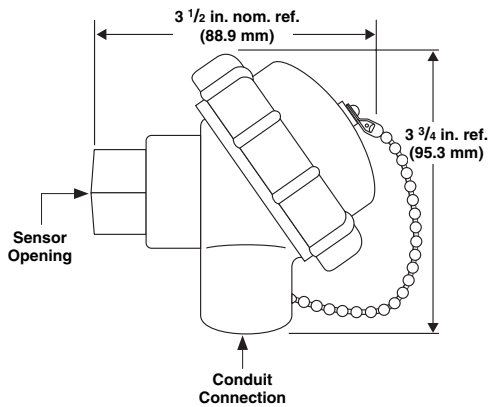
XP Head Shown with TH-615 Block

Part No.	Sensor Opening in.	Conduit Connection in.
XP-11	3/4	3/4
XP-12	1/2	3/4

For hazardous locations. Underwriter's Laboratories Listed Class 1, Groups C, D; Class 2, Groups E, F, G; Class 3, all Groups.

All XP explosion-proof heads use a TH-615 (six terminal) block. **Order separately.**

Also approved for CSA Class I, Groups C and D; Class II, Groups E and F; and Class III.



PT Polypropylene Head and Connector Blocks

(Assembly ordering option C)

PT Polypropylene Heads

Part No. Head Only	Sensor Opening in.	Conduit Connection in.
PT-20	1/2	1/2
PT-30	1/2	3/4
RT-30-WHT	1/2	3/4

Terminal Blocks for PT Heads

Part No.	Description
50500701	Single element block
50500801	Dual element block

The polypropylene head is the answer to many of the corrosion problems facing connection heads. The U.V. stabilized polypropylene head is impervious to practically all corrosive media and is rated for continuous operation up to 105°C (220°F). The PT-20 and PT-30 are black and the RT-30-WHT is white in color.

Note: All accessories subject to minimum purchase quantities.