

Model WMC Miniature Sealed Stainless Steel Load Cell

Capacities 5-500 lbf

Why the Interface model WMC Miniature Sealed Stainless Steel Load Cell is the best in class:

- Proprietary Interface temperature compensated strain gages
- Tension and compression
- Small size
- Environmentally sealed

STANDARD CONFIGURATION

5 ft Integral Cable

OPTIONS

Extra Cable Length

ACCESSORIES

Instrumentation

Consult factory for more technical information



SPECIFICATIONS

ACCURACY - (MAX ERROR)

Nonlinearity-% FS±0.15
 Hysteresis-% FS±0.15
 Nonrepeatability-% RO±0.05
 Creep, in 20 min-%±0.05

TEMPERATURE

Compensated Range-°F15 to 115
 Compensated Range-°C-10 to 45
 Operating Range-°F-65 to 250
 Operating Range-°C-54 to 121
 Effect on Output-%/°F - MAX±0.002
 Effect on Zero-% RO/°F - MAX±0.005

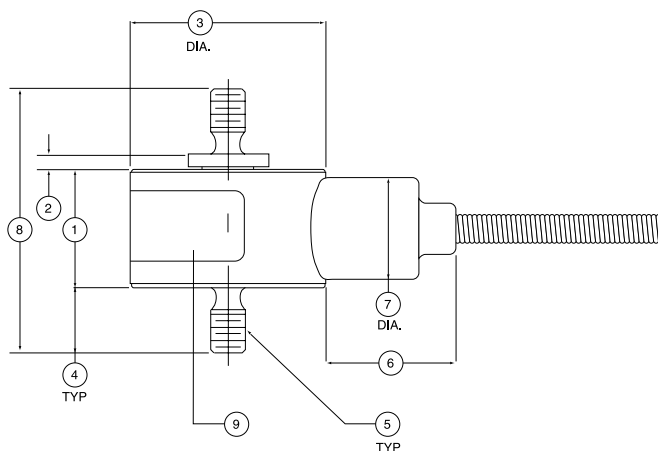
ELECTRICAL

Rated Output-mV/V (Nominal)2.0
 Zero Balance-% RO±2.0
 Bridge Resistance-Ohm (Nominal)350
 Excitation Voltage - MAX12.0 VDC
 Insulation Resistance - Megohm> 5000

MECHANICAL

CalibrationTension
 Safe Overload-% CAP:
 5,10 lbf150
 25-500 lbf150
 Cable length-ft5

DIMENSIONS



| See Drawing | CAPACITY (lbf) | | | | | |
|-------------|----------------|------|-------------|-------|------------|-------|
| | 5, 10 | | 25, 50, 100 | | 250, 500 | |
| | inch | mm | inch | mm | inch | mm |
| ① | 0.45 | 11.4 | 0.52 | 13.21 | 0.52 | 13.21 |
| ② | 0.06 | 1.5 | 0.12 | 3.05 | 0.03 | 0.76 |
| ③ | 0.75 | 19.1 | 1.00 | 25.4 | 1.00 | 25.4 |
| ④ | 0.25 | 6.4 | 0.25 | 6.4 | 0.38 | 9.7 |
| ⑤ | 6-32 UNF | | 10-32 UNF | | 1/4-28 UNF | |
| ⑥ | 0.50 | 12.7 | 0.50 | 12.7 | 0.50 | 12.7 |
| ⑦ | 0.39 | 9.9 | 0.39 | 6.4 | 0.39 | 6.4 |
| ⑧ | 1.01 | 25.6 | 1.14 | 29.0 | 1.31 | 33.3 |
| ⑨ | label | | label | | label | |

Model WMC Miniature Sealed Stainless Steel Load Cell

Capacities 1K-10Klbf



Why the Interface model WMC Miniature Sealed Stainless Steel Load Cell is the best in class:

- Proprietary Interface temperature compensated strain gages
- Tension and compression
- Small size
- Environmentally sealed

STANDARD CONFIGURATION

5 ft Integral Cable

OPTIONS

Extra Cable Length

ACCESSORIES

Instrumentation

Consult factory for more technical information

SPECIFICATIONS

ACCURACY - (MAX ERROR)

Nonlinearity-% FS±0.20
 Hysteresis-% FS±0.20
 Nonrepeatability-% RO±0.05
 Creep, in 20 min-%±0.05

TEMPERATURE

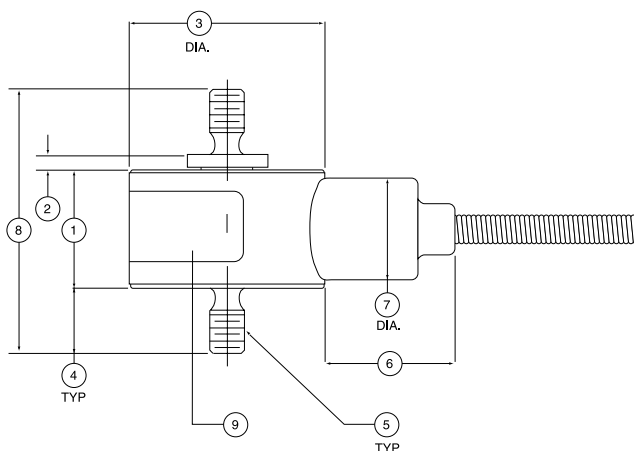
Compensated Range-°F 15 to 115
 Compensated Range-°C -10 to 45
 Operating Range-°F -65 to 250
 Operating Range-°C -54 to 121
 Effect on Output-%/°F - MAX±0.002
 Effect on Zero-% RO/°F - MAX±0.005

ELECTRICAL

Rated Output-mV/V (Nominal)2.0
 Zero Balance-% RO±2.0
 Bridge Resistance-Ohm (Nominal)350
 Excitation Voltage - MAX15 VDC
 Insulation Resistance - Megohm> 5000

MECHANICAL

CalibrationTension
 Safe Overload-% CAP:150
 Cable length-ft5



DIMENSIONS

| See Drawing | CAPACITY (lbf) | | | | | | | |
|-------------|----------------|------|--------------|------|--------------|------|--------------|------|
| | 1K | | 2K, 3K | | 5K | | 7.5K, 10K | |
| | inch | mm | inch | mm | inch | mm | inch | mm |
| ① | 0.53 | 13.4 | 0.72 | 18.3 | 0.94 | 23.9 | 1.09 | 27.7 |
| ② | 0.03 | 0.8 | 0.03 | 0.08 | 0.03 | 0.08 | 0.03 | 0.08 |
| ③ | 1.00 | 25.4 | 1.00 | 25.4 | 1.25 | 31.8 | 1.38 | 34.9 |
| ④ | 0.38 | 9.7 | 0.50 | 12.7 | 0.63 | 16.0 | 0.88 | 22.4 |
| ⑤ | 0.250-28 UNF | | 0.375-24 UNF | | 0.500-20 UNF | | 0.750-16 UNF | |
| ⑥ | 0.50 | 12.7 | 0.50 | 12.7 | 0.50 | 12.7 | 0.50 | 12.7 |
| ⑦ | 0.39 | 9.9 | 0.39 | 9.9 | 0.39 | 9.9 | 0.39 | 9.9 |
| ⑧ | 1.32 | 33.5 | 1.75 | 44.5 | 2.23 | 56.6 | 2.88 | 73.2 |
| ⑨ | label | | label | | label | | label | |